



FOOD EQUIPMENT

SERVING THE FOOD INDUSTRY SINCE 1951

30-INCH STAINLESS STEEL ELECTRIC HOT FOOD TABLE WITH CUTTING BOARD AND UNDERSHELF

Item: 44511 Model: FW-CN-0002



Pans not included.

**KEEP YOUR HOT FOODS
READILY AVAILABLE AT
SAFE TEMPERATURE**

Omcan's 30-inch stainless steel electric hot food table with cutting board and undershelf is the ideal unit for buffet and catering services. This unit is intended for dry use and comes with the option of compatible spillage pans for moist heat - sold separately. Durable built with stainless steel construction, our food table comes equipped with a convenient undershelf to store essential serving and kitchen tools, as well as a polycarbonate cutting board for extra workspace. Keep all your hot foods consistently warm and readily available!



WARRANTY

PARTS AND LABOR



SHIPPED ON PALLET



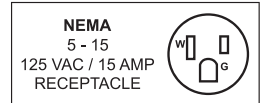
Authorized Dealer

TECHNICAL SPECIFICATIONS

ITEM NUMBER	44511
MODEL	FW-CN-0002
TEMPERATURE RANGE	Min to Max (around 212°F / 100°C)
POWER	1000 W
MATERIAL	Stainless Steel
ELECTRICAL	120V / 60Hz / 1Ph
NUMBER OF PANS*	2
PAN SIZE	20.78" x 12.8" x 6" / 528 x 325 x 150 mm
UNDERSHELF SIZE	34.9" x 25.4" / 885.4 x 646.4 mm
CUTTING BOARD SIZE	30" x 7" x 0.6" / 761 x 178 x 15 mm
DIMENSIONS (WDH)	30" x 29.5" x 33.46" / 762 x 750 x 850 mm
GROSS DIMENSIONS	34.4" x 26.6" x 18.5" / 875 x 675 x 470 mm
NET WEIGHT	64 lbs / 29 kg
GROSS WEIGHT	77.2 lbs / 35 kg

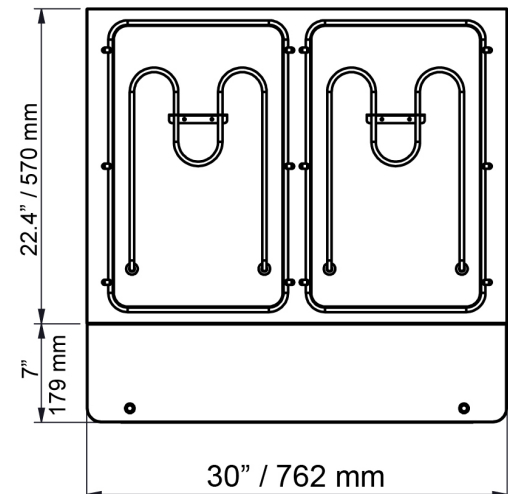
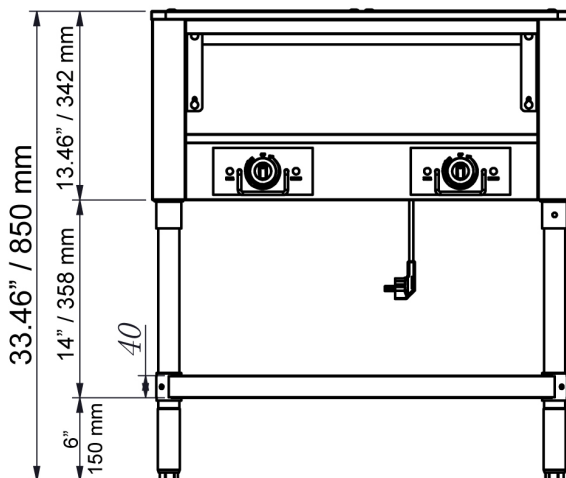
FEATURES

- Stainless steel construction
- Adjustable stainless steel undershelf and polycarbonate, removable cutting board
- Adjustable stainless steel feet
- Stainless steel heating element
- 2 independent infinite controls



*Pans not included.

TECHNICAL DRAWINGS AND DIMENSIONS



OMCAN INC.

Telephone: 1-800-465-0234

Fax: (905) 607-0234

Email: sales@omcan.com

Website: www.omcan.com



Follow us to keep up to date with the latest news and offers

